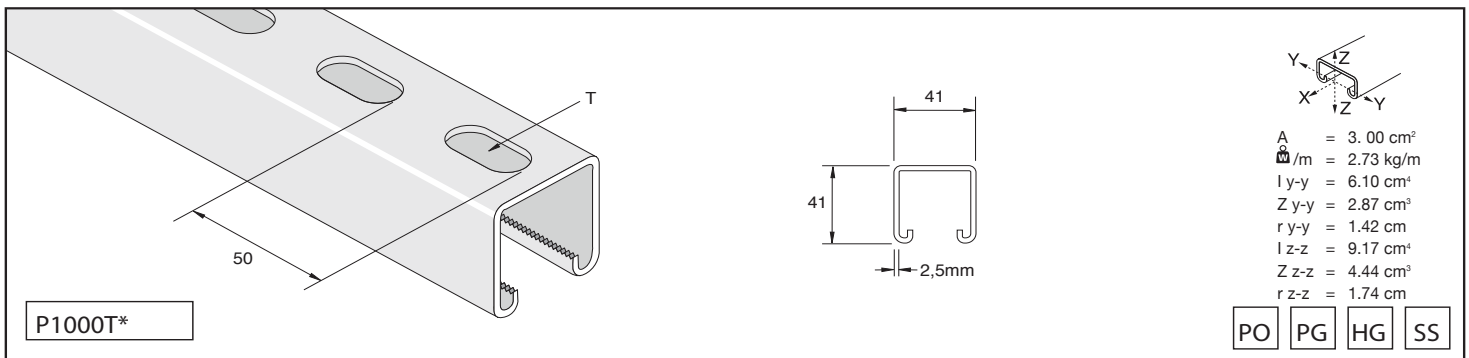


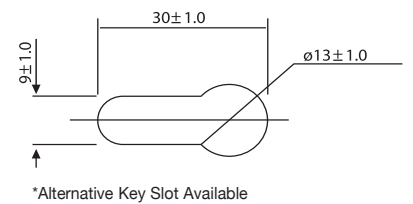
L(mm)	F		f=1/200L	f=1/360L	F <sub>(90)</sub>
	F <sub>max</sub> (kN)	f <sub>max</sub> (mm)			
250	17.354	0.23	-	-	16.608
500	8.672	0.95	-	-	16.187
750	5.778	2.15	-	5.602	15.245
1000	4.336	3.82	-	3.149	13.685
1250	3.463	5.97	-	2.011	12.086
1500	2.884	8.60	2.521	1.393	10.722
1750	2.472	11.70	1.844	1.020	9.575
2000	2.168	15.29	1.413	0.785	8.623
2250	1.923	19.35	1.118	0.618	7.819
2500	1.727	23.89	0.903	0.500	7.112
2750	1.570	28.91	0.746	0.412	6.504*
3000	1.442	34.40	0.628	0.343	5.995*

\*180 ≤ kL/r < 250



L(mm)	F		f=1/200L	f=1/360L	F <sub>(90)</sub>
	F <sub>max</sub> (kN)	f <sub>max</sub> (mm)			
250	16.069	0.27	-	-	16.283
500	8.034	1.05	-	-	16.039
750	5.356	2.35	-	4.738	15.274
1000	4.012	4.18	-	2.659	13.626
1250	3.208	6.54	3.071	1.707	11.880
1500	2.678	9.41	2.129	1.177	10.418
1750	2.296	12.81	1.560	0.863	9.231
2000	2.001	16.73	1.197	0.657	8.270
2250	1.785	21.18	0.942	0.520	7.465
2500	1.599	26.15	0.765	0.422	6.779
2750	1.452	31.64	0.628	0.343	6.190*
3000	1.334	37.65	0.530	0.294	5.670*

\*180 ≤ kL/r < 250



Part No.	Length M		Finish			Slot Size (T)		
	3	6	PO	PG	HG	SS	25x11	28x14
P1000	•	•	•	•	•	•		
P1000T	•	•	•	•	•	•		•
P1000T10	•	•	•	•	•	•	•	

Also available in 2mm

Stated loadings apply to mild steel products only.