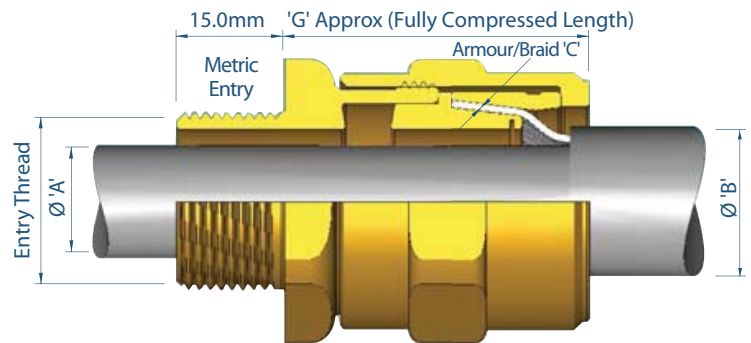


150/RAC Industrial Cable Gland

Application

- Indoor use.
- For use with single wire armour 'W', wire braid 'X', aluminium strip armour 'Y' and steel tape armour 'Z' elastomer and plastic insulated cables.



Cable Gland Selection Table

Size Ref.	Entry Thread Size		Cable Acceptance Details				'G'	Hexagon Dimensions	
	Metric	NPT * Standard or Option	Inner Sheath 'A'	Outer Sheath 'B'	Armour / Braid 'C'			Across Flats	Across Corners
			Max.	Max.	Orientation 1	Orientation 2			
O	M20 ²	½"	11.9	16.0	0.8 / 1.25	0.0 / 0.8	37.0	24.0	26.5
A	M20	¾" or ½"	14.3	20.5	0.8 / 1.25	0.0 / 0.8	38.2	30.0	32.5
B	M25	1" or ¾"	20.2	26.0	1.25 / 1.6	0.0 / 0.7	42.7	36.0	39.5
C	M32	1¼" or 1"	26.5	33.0	1.6 / 2.0	0.0 / 0.7	46.9	46.0	50.5
C2	M40	1½" or 1¼"	32.5	41.0	1.6 / 2.0	0.0 / 0.7	49.9	55.0	60.6
D	M50	2" or 1½"	44.4 / 42.3 ¹	52.6	1.8 / 2.5	0.0 / 1.0	63.5	65.0	70.8
E	M63	2½" or 2"	56.3 / 54.3 ¹	65.3	1.8 / 2.5	0.0 / 1.0	60.4	80.0	88.0
F	M75	3" or 2½"	68.2 / 65.3 ¹	78.0	1.8 / 2.5	0.0 / 1.0	63.2	95.0	104.0

All dimensions in millimetres (except * where dimensions are in inches). Os - F size metric entry threads are 1.5mm pitch as standard, 15mm length of thread.

¹ Smaller value is applicable when selecting reduced NPT entry option.

² Sizes Os and O are available with an M16 thread size. For O size with M16 thread, the maximum cable outer sheath diameter is 10.9mm

Technical Data

- Construction and Test Standards: EN 50262, BS 6121 : Part 1 Type BW, BX, BY and BZ.
- Operating Temperature Range: -60°C to +100°C.
- Assembly Instruction Sheet: AI 325.

Features

- Provides armour clamping using one clamping arrangement for all armour / braid types.
- Manufactured in Brass (standard), Nickel Plated Brass, 316 Stainless Steel or Aluminium.
- Brass NPT entries are nickel plated as standard.

Alternative Reversible Armour Clamping Rings (RAC)

Size Ref.	Steel Wire Armour / Braid / Tape	
	Orientation 1	Orientation 2
B	0.9 - 1.25	0.5 - 0.9
C	1.2 - 1.6	0.6 - 1.2
C2	1.2 - 1.6	0.6 - 1.2
D	1.45 - 1.8	1.0 - 1.45
E	1.45 - 1.8	1.0 - 1.45
F	1.45 - 1.8	1.0 - 1.45

Ordering Information

Format for ordering is as follows: Alternative Clamping Ring (AR), add suffi x AR to ordering information.

Cable Gland Type	Size	Thread	(OPTIONAL)	Cable Gland Type	Size	Thread	(OPTIONAL)
150/RAC	C	M32	AR	150/RAC	C	1 ¼"NPT	AR