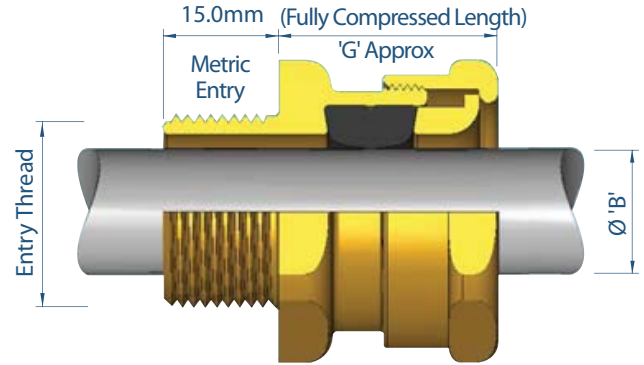


Application

- Outdoor or indoor use.
- For use with non-armoured elastomer and plastic insulated cables.



Cable Gland Selection Table

Size Ref.	Entry Thread Size		Cable Acceptance Details				'G'	Hexagon Dimensions	
	Metric	NPT * Standard or Option	Outer Sheath 'B'					Across Flats	Across Corners
			Standard Seal		Alternative Seal (S)				
Min.	Max.	Min.	Max.						
2K	M16	-	3.0	8.0	-	-	23.5	19.0	21.2
Os	M20 ²	½"	3.0	8.0	-	-	23.8	24.0	26.5
O	M20 ²	½"	7.5	11.9	-	-	23.8	24.0	26.5
A	M20	¾" or ½"	11.0	14.3	8.5	13.4	24.8	30.0	32.5
B	M25	1" or ¾"	13.0	20.2	9.5	15.4	25.8	36.0	39.5
C	M32	1¼" or 1"	19.0	26.5	15.5	21.2	28.2	46.0	50.5
C2	M40	1½" or 1¼"	25.0	32.5	22.0	28.0	29.5	55.0	60.6
D	M50	2" or 1½"	31.5	44.4 / 42.3 ¹	27.5	34.8	40.4	65.0	70.8
E	M63	2½" or 2"	42.5	56.3 / 54.3 ¹	39.0	46.5	38.2	80.0	88.0
F	M75	3" or 2½"	54.5	68.2 / 65.3 ¹	48.5	58.3	40.5	95.0	104.0
G	M80	3½"	67.0	73.0	-	-	41.0	106.4	115.0
H	M90	3½"	67.0	77.6	-	-	41.0	115.0	130.0
J	M100	4"	75.0	91.6	-	-	41.0	127.0	142.0

All dimensions in millimetres (except * where dimensions are in inches). 2K - F size metric entry threads are 1.5mm pitch as standard, 15mm length of thread. For G size glands and above, a 2mm pitch is supplied as standard, 20mm length of thread (1.5mm pitch with 15mm length of thread can be supplied) please specify when ordering

¹Smaller value is applicable when selecting reduced NPT entry option.

²Sizes Os and O are available with an M16 thread size. For O size with M16 thread, the maximum cable outer sheath diameter is 10.9mm

Technical Data

- Construction and Test Standards: EN 50262, BS 6121 : Part 1 Type BW, BX, BY and BZ.
- Operating Temperature Range: -60°C to +100°C.
- Assembly Instruction Sheet: AI 325.

Features

- Provides armour clamping using one clamping arrangement for all armour / braid types.
- Manufactured in Brass (standard), Nickel Plated Brass, 316 Stainless Steel or Aluminium.
- Brass NPT entries are nickel plated as standard.

Ordering Information

Format for ordering is as follows: Alternate Clamping Ring (S), add suffix x S to ordering information.

Cable Gland Type	Size	Thread	(OPTIONAL)	Cable Gland Type	Size	Thread	(OPTIONAL)
121	C	M32	S	121	C	1 ¼" NPT	S