

R&M

FIXINGS & SUPPORTS LTD

Fire Protection at R&M Fixings

BIS Pacifyre® MK II Fire Sleeve Now Available!

R&M Fixings & Supports LTD are suppliers and stockists of all IHL Walraven Ltd products. Walraven are at the forefront of innovation in the passive fire industry.

R&M can offer Walravens comprehensive range of fully tested passive fire protection products and fire rated fixings all of which are designed to make things simple for the installer, save time on site and make it easy to comply with all regulations and best practise.

At the core of the range is the BIS Pacifyre® MK II Fire Sleeve, which is often copied but never matched. This product is the most comprehensively tested and has the widest range of applications currently available. The BIS Pacifyre® MK II Fire Sleeve a firm favourite with installers because of its high specification, ease of use and time saving qualities.

The Walraven product range is backed up by a UK sales team and fire protection specialist who will visit site and give advice on best practice and correct installation. They can also offer on site training and audit the installation of our products when the job is complete.

Ease Of Installation



1. Wrap the sleeve around the pipe



2. Tabs in proper position



3. Bend and lock the tabs



4. Slide the sleeve into the aperture and centre it



5. Fill the opening with acrylic, foam or mortar



6. Fix Universal Card (Part No. 214 9 999903)

The BIS Pacifyre® MK II Fire Sleeve is installed simply and easily without using special fixing materials. Only one pair of hands is needed for the whole installation. After wrapping the sleeve around the pipe, the closing tabs are bent and locked.

Then slide the sleeve into the aperture. You then fill the rest of the opening with fire resistant acrylic, foam or mortar. Fill out the BIS Pacifyre® Universal Card and place it next to the aperture and the job is done!



Operational Benefits

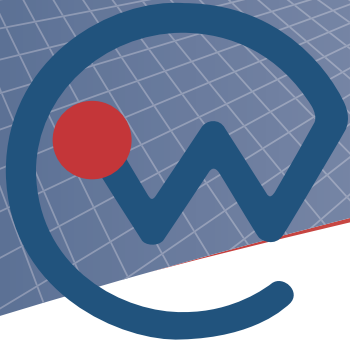
- Prevents the spread of fire
- Prevents the spread of smoke
- Prevents the conduction of noise
- Remains operational for decades without maintenance
- Expansion and contraction of the pipe remains possible
- Contains no dangerous materials
- Emits no toxic gases or smoke in the event of a fire



walraven
BIS – Better Installation Systems

Walraven Ltd.
Tel. +44 (0)1295 75 34 00
Fax +44 (0)1295 75 34 28
sales.banbury@walraven.com

walraven.com



R&M

FIXINGS & SUPPORTS LTD

Suitable For Most Situations



Selection Tables

For plastic and metal pipes The BIS Pacifyre® MK II Fire Sleeve is available in all common pipe sizes for both non-insulated plastic pipes and metal pipes (insulated or non-insulated). Other dimensions are available on request.

Plastic Pipe

Pipe Ø (mm)	Part No.
15 - 17	215 1 015017
18 - 20	215 1 018020
24 - 26	215 4 024026
30 - 32	215 4 030032
39 - 41	215 4 039041
48 - 50	215 4 048050
51 - 53	215 4 051053
54 - 56	215 4 054056
57 - 59	215 4 057059
63 - 65	215 4 063065
75 - 77	215 4 075077
78 - 80	215 4 078080
90 - 92	215 4 090092
99 - 101	215 4 099101
108 - 110	215 4 108110
123 - 125	215 8 123125
135 - 137	215 8 135137
138 - 140	215 8 138140
159 - 161	215 8 159161
180 - 182	215 8 180182
198 - 200	215 2 198200

Other dimensions on request.

Metal Pipe (Insulated)

DN	Pipe Ø (mm)		Non-insulated	Insulation thickness (mm)		
	Steel + Stainless	Copper		15	20	25
10	17,2	15	214 1 015017	214 1 045047	214 1 054056	214 1 063065
-	-	18	214 1 018020	214 1 048050	214 1 057059	214 1 066068
15	21,3	22	214 1 021023	214 1 051053	214 1 060062	214 1 069071
20	26,9	28	214 1 027029	214 1 057059	214 1 066068	214 1 075077
25	33,7	35	214 1 033035	214 1 063065	214 1 072074	214 1 084086
32	42,4	42	214 1 042044	214 1 072074	214 1 081083	214 1 090092
40	48,3	-	214 1 048050	214 1 078080	214 1 087089	214 1 096098
-	-	54	214 1 054056	214 1 084086	214 1 093095	214 1 102104
50	60,3	-	214 1 060062	214 1 090092	214 1 099101	214 1 108110
-	64,0	-	214 1 063065	214 1 093095	214 1 102104	214 1 111113
-	-	66	214 1 066068	214 1 096098	214 1 105107	214 1 114116
65	76,1	76	214 1 075077	214 1 105107	214 1 114116	214 1 126128
80	88,9	89	214 1 087089	214 1 117119	214 1 129131	214 1 138140
-	-	108	214 1 108110	214 1 138140	214 1 147149	214 1 156158
100	114,3	-	214 1 114116	214 1 144146	214 1 153155	214 1 162164
125	139,7	-	214 1 138140	214 1 168170	214 1 180182	214 1 189191
150	168,3	-	214 1 168170	214 1 198200	214 1 207209	214 1 219221
200	219,1	-	214 1 219221	214 1 249251	214 1 258260	214 1 270272
250	273	-	214 1 273275	214 1 301303	214 1 313315	214 1 322324

DN	Pipe Ø (mm)		Non-insulated	Insulation thickness (mm)		
	Steel + Stainless	Copper		30	40	50
10	17,2	15	214 1 015017	214 1 075077	214 1 096098	214 1 114116
-	-	18	214 1 018020	214 1 078080	214 1 096098	214 1 117119
15	21,3	22	214 1 021023	214 1 081083	214 1 102104	214 1 120122
20	26,9	28	214 1 027029	214 1 087089	214 1 105107	214 1 126128
25	33,7	35	214 1 033035	214 1 093095	214 1 114116	214 1 132134
32	42,4	42	214 1 042044	214 1 102104	214 1 120122	214 1 141143
40	48,3	-	214 1 048050	214 1 108110	214 1 126128	214 1 147149
-	-	54	214 1 054056	214 1 114116	214 1 132134	214 1 153155
50	60,3	-	214 1 060062	214 1 120122	214 1 138140	214 1 159161
-	64,0	-	214 1 063065	214 1 123125	214 1 144146	214 1 162164
-	-	66	214 1 066068	214 1 126128	214 1 144146	214 1 165167
65	76,1	76	214 1 075077	214 1 135137	214 1 156158	214 1 177179
80	88,9	89	214 1 087089	214 1 147149	214 1 168170	214 1 189191
-	-	108	214 1 108110	214 1 168170	214 1 186188	214 1 207209
100	114,3	-	214 1 114116	214 1 174176	214 1 192194	214 1 213215
125	139,7	-	214 1 138140	214 1 198200	214 1 219221	214 1 240242
150	168,3	-	214 1 168170	214 1 228230	214 1 249251	214 1 267269
200	219,1	-	214 1 219221	214 1 279281	214 1 298300	214 1 319321
250	273	-	214 1 273275	214 1 331333	214 1 352354	214 1 373375

Other dimensions on request. For rubber or elastomer please contact us.

Plastic Pipe

Part No.	Allowance (mm)	
	Min	Max
214 1 XXXXXX	25	85
214 1 XXXXXX	30	90
215 1 XXXXXX	25	85
215 4 XXXXXX	30	90
215 8 XXXXXX	40	100
215 2 XXXXXX	50	110

For holes to be drilled: select your available drill size within the min. / max. allowance given above.

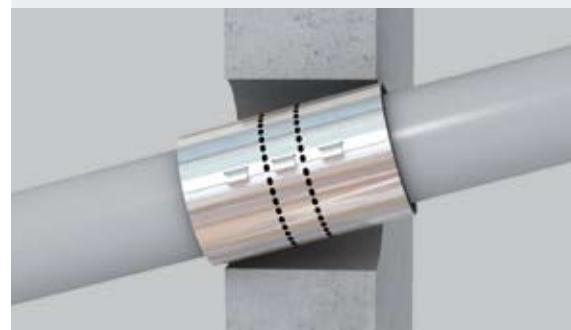
Small Distance

Places with difficult accessibility (for example an aperture that is only accessible from one side) cause no problems. The BIS Pacifyre® MK II Fire Sleeve is also usable when the distance between the wall or ceiling and pipe is very small.



Close Spacing

The BIS Pacifyre® MK II Fire Sleeve is kept in place due to its closing tabs. It has no obtrusive fixing tabs, which is an advantage when parallel running pipes are installed. Thanks to its compact design the centre distance between pipes is very small.



Any Direction

The BIS Pacifyre® MK II Fire Sleeve can be used for horizontal, vertical and even diagonal running pipes!

For more information on these products please contact us

R&M Fixings & Supports Ltd

Unit 6, Central Trading Estate, Marine Parade, Southampton, Hampshire SO14 5JP

Tel: **023 8038 6800** Fax: **023 8038 6808**

Email: fixings@rm-electrical.com www.rm-electrical.com

R&M Electrical Group Limited is registered in England and Wales No. 2218034.
Registered office: Units 1 & 2 362 Spring Road, Southampton, SO19 2PB, Hampshire.



Walraven Ltd.
Tel. +44 (0)1295 75 34 00
Fax +44 (0)1295 75 34 28
sales.banbury@walraven.com

walraven.com